

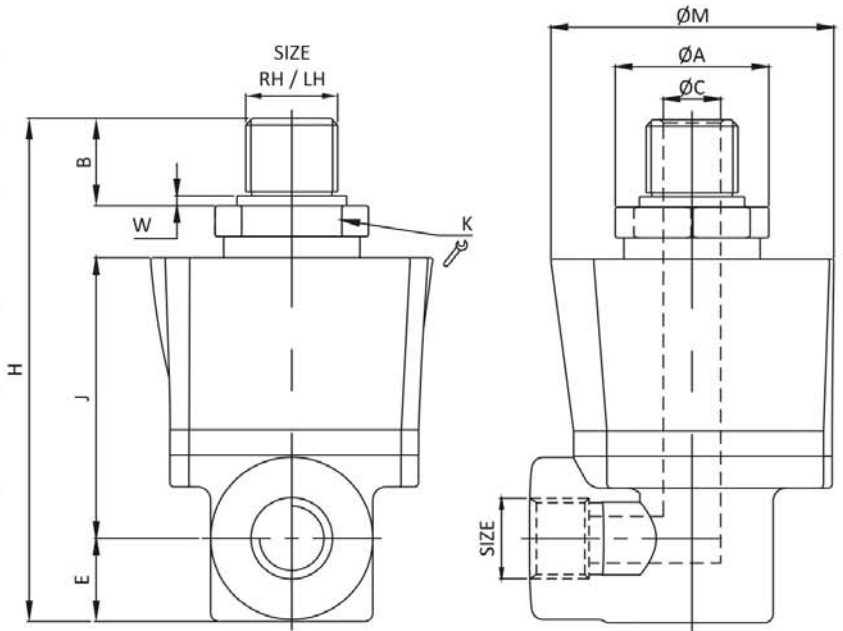
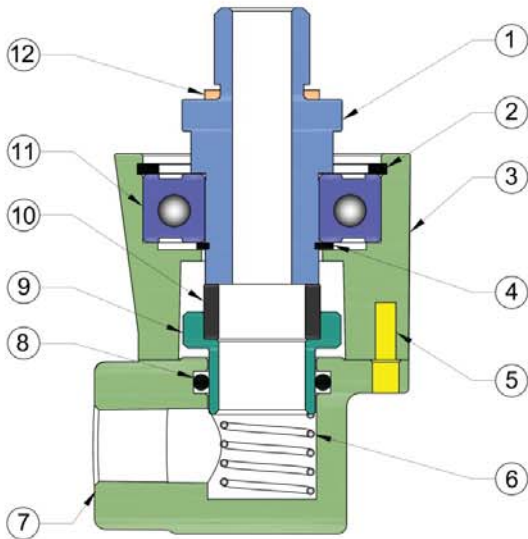


Features

- ▶▶ Aluminum Construction
- ▶▶ Light Weight
- ▶▶ Suitable for Only Air Application
- ▶▶ Seals, Ball Baring as per International Std.
- ▶▶ Simple design easy to maintenance

Technical Specification

Model	ALR
Size	1/4", 3/8", 1/2", 3/4", 1", 1.1/4" & 1.1/2"
Pressure	Upto 8 Kg/cm ²
Temperature	Upto 50 °C
Leakage	Bubble Tight
RPM	900 Max.
Media	Only For Air Application



No.	Part Name	Material
1	Shaft	Standard Steel
2	Circlip Internal	Standard
3	Housing	Aluminum
4	Circlip External	Standard
5	Allen Key	S. S.
6	Spring	S. S.
7	Bottom	Aluminum
8	'O' Ring	NBR
9	Piston	Aluminum
10	Seals	Carbon
11	Bearing	Standard
12	Washer	Copper

Dimensions :

(All Dimensions are in mm)

MODEL	SIZE	ØA	C	ØC	E	ØM	H	J	K	W	Weight (Kg.) Approx.
ALR - 06	1/4"	25.5	13	6.5	12.5	46	93	55.5	22.5	1.5	0.448
ALR - 10	3/8"	25.5	13	9	12.5	46	93	55.5	22.5	1.5	0.414
ALR - 15	1/2"	35	20	13	21	65	118	64	31	1.5	0.620
ALR - 20	3/4"	35	20	17	21	65	118	64	31	1.5	0.697
ALR - 25	1"	48	25.5	21.5	23.5	79	138	74	42	1.5	1.070
ALR - 32	1.1/4"	56.6	25.5	28.5	37.5	86	163	84	51.5	1.5	2.746
ALR - 40	1.1/2"	56.6	25.5	28.5	37.5	86	163	84	51.5	1.5	2.746