

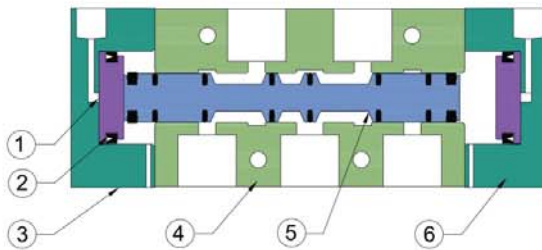
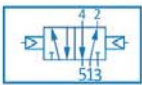
5/2 Way Double Pilot Valve

Features

- ▶▶ Compact Design with Maximum Flow
- ▶▶ Aluminum Extruded Body with Anodization

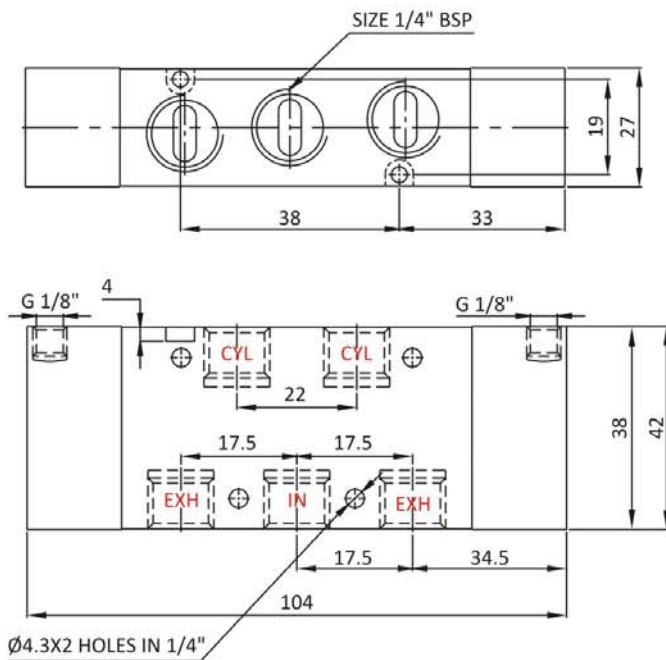
Technical Specification

Model	2ADDP - 502	2ADDP - 504
Size	1/4"	1/2"
Design	Spool type	
Pressure	1 to 10 Kg/cm ²	
Temperature	5 to 55 °C	
Leakage	Bubble Tight	
Media	Compressed Air (Filtered & Lubricated)	
Weight (Kg)	0.275	0.700



No.	Part Name	Material
1	Piston	Aluminium
2	'V' Seal	NBR
3	Pilot Cover	Aluminium
4	Body	Aluminium Anodized
5	Spool Assembly	Aluminium
6	Piston Cover	Aluminium

Size : 1/4" BSP (Dimensions are in mm)



IN & CYL Holes 1/4" BSP X3 Holes in 1/4" & EXH Hole 1/8" BSP in 1/4".
IN, EXH & CYL Holes 1/2" BSP X5 Holes in 1/2"

Size : 1/2" BSP (Dimensions are in mm)

